

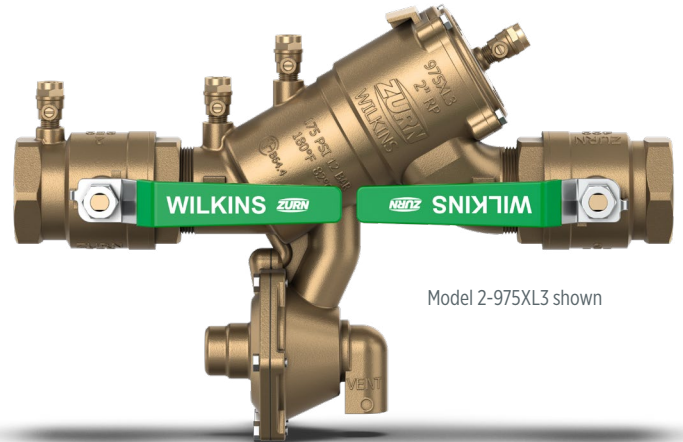
900XL3 Series Zurn Wilkins Backflow Preventers

The Contractor Favorite
Just Got More Compact

The Zurn Wilkins 900XL3 Series Small Backflow Preventer delivers convenient size and substance to cut down on labor. We engineered the new and improved model even shorter and more compact than before, while integrating the time-tested features from our contractor favorites.

That way, you get the durability from our 900 series paired with the ingenuity from the 300 series style EZSwap® modular checks. The 900XL3 series is just as flexible with maintenance as it is installation. Our repair kits allow for faster, cost-effective repairs, saving owners up to 20% over the product lifespan.

Upgrade to the greatest value from the smallest backflow preventer on the market for your next project.



Model 2-975XL3 shown

975XL3

Sizes 1/2" - 2"



Model 2-950XL3 shown



950XL3

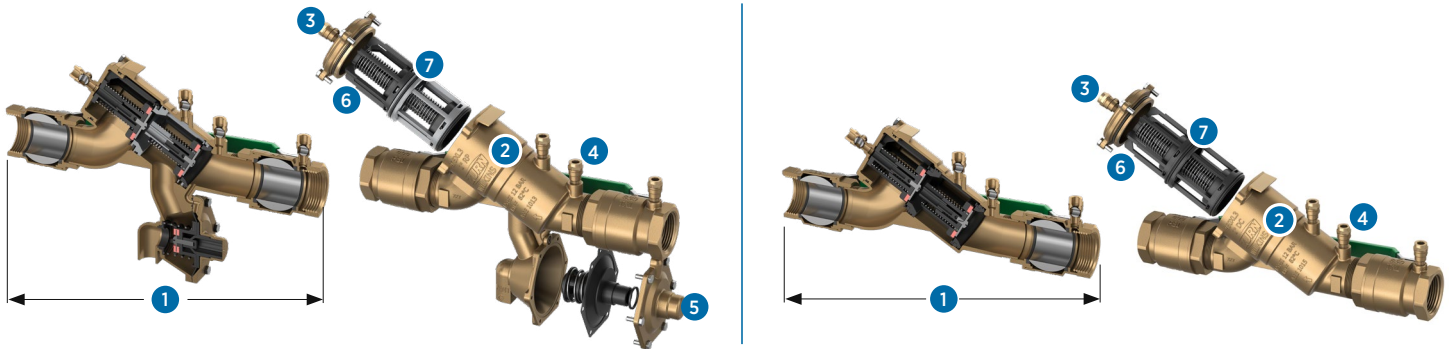
Sizes 3/4" - 2"

900XL3 Series Zurn Wilkins Backflow Preventers

Application

Ideal for use where lead-free valves are required. Designed for installation on potable water lines to protect against both backsiphonage and backpressure of polluted water into the potable water supply. Assembly shall provide protection where a potential non-health hazard exists (950XL3) or potential health hazard exists (975XL3).

	VALVE ASSEMBLY TYPE	SIZE OPTIONS	BACKSIPHONAGE/ BACKPRESSURE PROTECTION	HIGH HAZARD	LOW HAZARD	LOW-LEAD COMPLIANT	EZSWAP MODULAR CHECK	TOP ACCESS CHECK DESIGN	LOW-COST REPAIR KITS
 975XL3	Reduced Pressure Principle	1/2" 1 1/4" 3/4" 1 1/2" 1" 2"	✓	✓	—	✓	✓	✓	✓
 950XL3	Double Check	3/4" 1" 1 1/4" 1 1/2" 1 1/2" 2"	✓	—	✓	✓	✓	✓	✓



Smaller Valve. Greater Value.

We relied on what works from our leading 300 and 900 series to give contractors and owners the best of both and more.

900XL3 Series Features and Benefits

- Shortest bronze small backflow preventer to fit any application
- All bronze body ensures durability against the elements
- EZSwap® modular check with top access speeds up repairs and replacements
- Test ports located on valve's centerline make install and testing easy
- Relief valve cover and check cover offer access from either side
- Noryl™ check body and stainless steel fasteners resist corrosion over time
- Interlocking connected checks provide ¼ turn to access and disassemble
- Low-cost repair kits extend the lifespan at a significantly lower cost